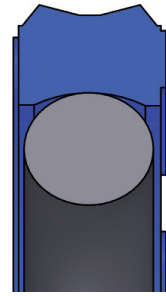


# PISTON SEAL K70



The double-acting K70 is composed of an extrusion-resistant sealing element made of blue TPU 95, which is prestressed by an O-ring made of NBR 70. If there is pressure on both sides, two sealing edges establish a secure media separation.

The piston seal K70 especially stands out for its low operating friction over its entire lifespan. Its specially developed geometry provides a strong sealing effect under medium loads and good static tightness. Thanks to its standardized installation space, the K84 or KPOR 30/130 can be used as an alternative depending on the operating conditions. During the design phase, K70 thus offers the user maximum flexibility.

## YOUR ADVANTAGES AT A GLANCE

- The sealing material polyurethane (TPU) stands out for its high wear and extrusion resistance as well as its compression set
- Nitrile butadiene rubber (NBR) and TPU are resistant to hydraulic oils in accordance with DIN 51524 (Part 1-3) and flame-resistant hydraulic fluids (HFA, HFB, HFC), along with lubricating oils and greases based on petroleum oils
- Channels on the facing surface ensure a rapid pressure build-up

- Rounded sealing edge provide a hydrodynamic lubricating film and reduced friction
- Economical profile thanks to the O-Ring as energizer and both direct activated sealing edges
- Very low mounting effort

## APPLICATIONS

The K70 is designated for medium loads, manufacturing and machine tools. It's outstanding sealing function, small installation grooves and easy assembly permit its use in numerous applications, including

- agricultural machinery
- loading cranes
- industrial vehicles
- handling equipment
- standard cylinders
- and much more.



## CHARACTERISTICS

### Sealing materials

The profile ring of the K70 is made of a blue TPU. The O-Ring is composed of NBR 70 Shore A.

### Assembly

This two-piece seal is installed with an easy snap fitting in closed grooves.

### Dimensions

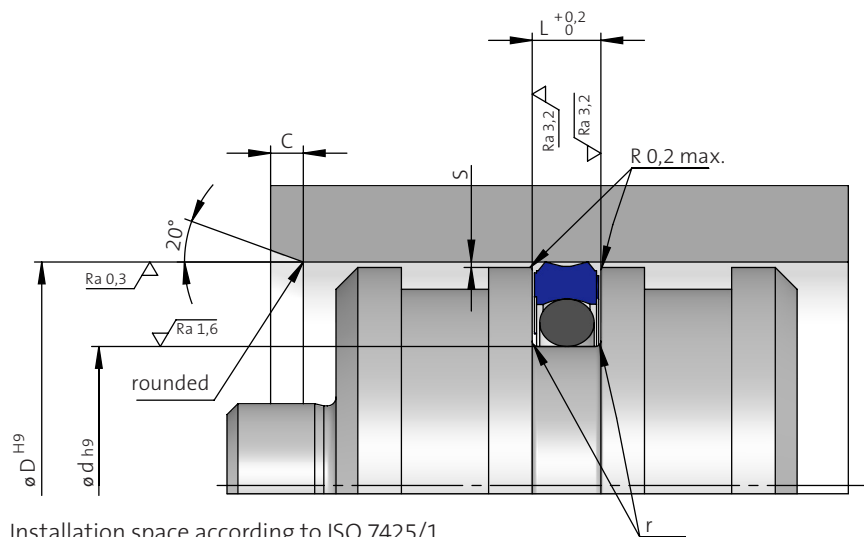
The currently available dimensions can be found on our website as well as in our web shop at [www.dichtomatik.com](http://www.dichtomatik.com).

### Operating limits

Pressure (MPa)	up to 25
Operating temperature range (°C)	-30 to +100
Sliding speed (m/s)	≤ 0,5

### Design guideline

Groove base-Ød h9	D-7,5	D-11	D-15,5	D-21
r radius	0,6	0,8	1,2	1,6
C chamfer	3	4,5	6	8
Smax gap in operation				
			0,5	0,35



Installation space according to ISO 7425/1

The information contained herein is considered to be reliable, but no assurances, warrants or guarantees whatsoever, of any kind, are provided with regard to their correctness or suitability for any purpose. The information reproduced herein is based on the current state of the technology and is not necessarily indicative of the performance of the end product. Complete testing and the performance of the end product are the user's responsibility.